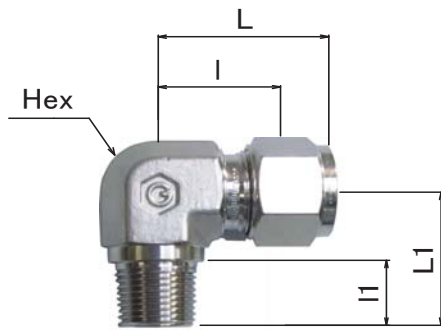


**ダブルフェルール式チューブ継手【SUS316Lステンレス製】**
**エルボユニオン**


| 型 式           | チューブ<br>外径<br>(mm) | 管用<br>テーパ<br>おねじ | L<br>(mm) | L1<br>(mm) | I<br>(mm) | I1<br>(mm) | 六角対辺<br>(mm) |
|---------------|--------------------|------------------|-----------|------------|-----------|------------|--------------|
| GME-6M2R-316  | 6                  | R1/8             | 27.0      | 18.8       | 19.6      | 9.7        | 12.7         |
| GME-6M4R-316  | 6                  | R1/4             | 27.0      | 23.4       | 19.6      | 14.2       | 12.7         |
| GME-6M6R-316  | 6                  | R3/8             | 29.8      | 26.2       | 22.4      | 14.2       | 17.5         |
| GME-6M8R-316  | 6                  | R1/2             | 31.8      | 33.0       | 24.4      | 19.0       | 20.6         |
| GME-8M2R-316  | 8                  | R1/8             | 28.8      | 19.8       | 21.3      | 9.7        | 14.3         |
| GME-8M4R-316  | 8                  | R1/4             | 28.8      | 24.4       | 21.3      | 14.2       | 14.3         |
| GME-8M6R-316  | 8                  | R3/8             | 30.6      | 26.2       | 23.1      | 14.2       | 17.5         |
| GME-8M8R-316  | 8                  | R1/2             | 32.7      | 33.0       | 25.2      | 19.1       | 20.6         |
| GME-10M2R-316 | 10                 | R1/8             | 31.5      | 21.6       | 23.9      | 9.7        | 17.5         |
| GME-10M4R-316 | 10                 | R1/4             | 31.5      | 26.2       | 23.9      | 14.2       | 17.5         |
| GME-10M6R-316 | 10                 | R3/8             | 31.5      | 26.2       | 23.9      | 14.2       | 17.5         |
| GME-10M8R-316 | 10                 | R1/2             | 33.5      | 33.0       | 25.9      | 19.0       | 20.6         |
| GME-12M4R-316 | 12                 | R1/4             | 36.0      | 28.2       | 25.9      | 14.2       | 20.6         |
| GME-12M6R-316 | 12                 | R3/8             | 36.0      | 28.2       | 25.9      | 14.2       | 20.6         |
| GME-12M8R-316 | 12                 | R1/2             | 36.0      | 33.0       | 25.9      | 19.0       | 20.6         |
| GME-4T2R-316  | 6.35               | R1/8             | 26.9      | 19.1       | 19.6      | 9.7        | 12.7         |
| GME-4T4R-316  | 6.35               | R1/4             | 26.9      | 23.6       | 19.6      | 14.2       | 14.3         |
| GME-4T6R-316  | 6.35               | R3/8             | 29.7      | 26.4       | 22.4      | 14.2       | 17.5         |
| GME-4T8R-316  | 6.35               | R1/2             | 31.8      | 33.3       | 24.4      | 19.1       | 20.6         |
| GME-6T2R-316  | 9.53               | R1/8             | 30.5      | 20.8       | 23.1      | 9.7        | 15.9         |
| GME-6T4R-316  | 9.53               | R1/4             | 30.5      | 25.7       | 23.1      | 14.2       | 15.9         |
| GME-6T6R-316  | 9.53               | R3/8             | 31.2      | 26.7       | 24.6      | 14.2       | 17.5         |
| GME-6T8R-316  | 9.53               | R1/2             | 33.3      | 33.3       | 25.9      | 19.1       | 20.6         |
| GME-8T4R-316  | 12.7               | R1/4             | 36.1      | 28.4       | 25.9      | 14.2       | 20.6         |
| GME-8T6R-316  | 12.7               | R3/8             | 36.1      | 28.7       | 25.9      | 14.2       | 20.6         |
| GME-8T8R-316  | 12.7               | R1/2             | 36.1      | 33.5       | 25.9      | 19.1       | 20.6         |
| GME-6T2N-316  | 9.53               | 1/8NPT           | 30.5      | 20.8       | 23.1      | 9.7        | 15.9         |
| GME-6T4N-316  | 9.53               | 1/4NPT           | 30.5      | 25.7       | 23.1      | 14.2       | 15.9         |
| GME-6T6N-316  | 9.53               | 3/8NPT           | 31.2      | 28.7       | 24.6      | 14.2       | 17.5         |
| GME-6T8N-316  | 9.53               | 1/2NPT           | 33.3      | 33.3       | 25.9      | 19.1       | 20.6         |
| GME-8T6N-316  | 12.7               | 3/8NPT           | 36.1      | 28.4       | 25.9      | 14.2       | 20.6         |