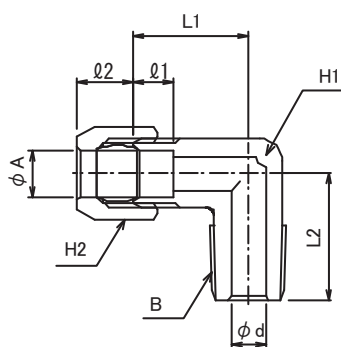


## リング式銅管継手(計装用)

### エルボユニオン



型 式	銅管外径		管ねじ		本体長さ		最小穴径 d (mm)	差込深さ		対 辺	
	A (mm)	B (R)	L1 (mm)	L2 (mm)	ø1 (mm)	ø2 (mm)		H1 (mm)	H2 (mm)		
GLC-4-2R-BS	4	1/4	18	22	3.5	6	8.5	14	12		
GLC-2101R-BS	6	1/8	20	21	5	7	9.5	14	14		
GLC-2102R-BS	6	1/4	20	22	5	7	9.5	14	14		
GLC-2103R-BS	6	3/8	22.5	26	5	7	9.5	17	14		
GLC-2104R-BS	6	1/2	24.5	30	5	7	9.5	19	14		
GLC-2201R-BS	8	1/8	20	21	6	7	9.5	14	14		
GLC-2202R-BS	8	1/4	20	22	6	7	9.5	14	14		
GLC-2203R-BS	8	3/8	22.5	26	6	7	9.5	17	14		
GLC-2204R-BS	8	1/2	24.5	30	6	7	9.5	19	14		
GLC-2301R-BS	10	1/8	21	21	6	7	11	14	17		
GLC-2302R-BS	10	1/4	21	22	8	7	11	14	17		
GLC-2303R-BS	10	3/8	23.5	26	8	7	11	17	17		
GLC-2304R-BS	10	1/2	25.5	30	8	7	11	19	17		
GLC-2401R-BS	12	1/8	24.5	23	6	7	12	17	19		
GLC-2402R-BS	12	1/4	24.5	24	8	7	12	17	19		
GLC-2403R-BS	12	3/8	24.5	26	10	7	12	17	19		
GLC-2404R-BS	12	1/2	26.5	30	10	7	12	19	19		
GLC-2021R-BS	6.35	1/8	20	21	5	7	9.5	14	14		
GLC-2022R-BS	6.35	1/4	20	22	5	7	9.5	14	14		
GLC-2023R-BS	6.35	3/8	22.5	26	5	7	9.5	17	14		
GLC-2024R-BS	6.35	1/2	24.5	30	5	7	9.5	19	14		
GLC-2031R-BS	9.53	1/8	21	21	6	7	11	14	17		
GLC-2032R-BS	9.53	1/4	21	22	8	7	11	14	17		
GLC-2033R-BS	9.53	3/8	23.5	26	8	7	11	17	17		
GLC-2034R-BS	9.53	1/2	25.5	30	8	7	11	19	17		
GLC-2041R-BS	12.7	1/8	29	23	6	8	12.5	19	21		
GLC-2042R-BS	12.7	1/4	29	25	8	8	12.5	19	21		
GLC-2043R-BS	12.7	3/8	29	27	10	8	12.5	19	21		
GLC-2044R-BS	12.7	1/2	29	30	10	8	12.5	19	21		