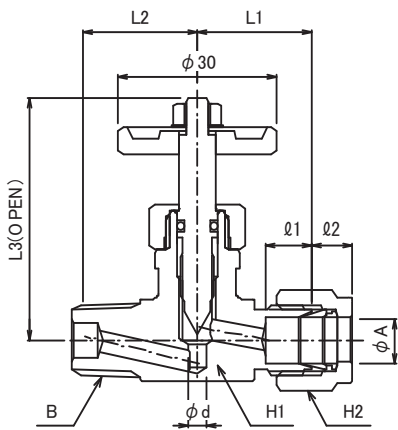


ダブルフェルール式銅管継手【黄銅製】
ミニチュアバルブ（ハーフ型）


型 式	銅管外径		本体長さ			最小穴径 d (mm)	差込深さ		対 辺	
	A (mm)	管用ねじ B (mm)	L1 (mm)	L2 (mm)	L3 (mm)		φ1 (mm)	φ2 (mm)	H1 (mm)	H2 (mm)
GVH-6M2R-BS	6	R1/8	22	22	44	3.5	8	7	17	14
GVH-6M4R-BS	6	R1/4	22	24	44	3.5	8	7	17	14
GVH-8M4R-BS	8	R1/4	22	24	44	3.5	9	8	17	16
GVH-8M6R-BS	8	R3/8	22	27	44	3.5	9	8	17	16
GVH-10M4R-BS	10	R1/4	23	24	44	3.5	10	9	17	19
GVH-10M6R-BS	10	R3/8	23	27	44	3.5	10	9	17	19
GVH-12M6R-BS	12	R3/8	25	28	45	3.5	12	10	19	23
GVH-12M8R-BS	12	R1/2	25	30	45	3.5	12	10	19	23
GVH-4T2R-BS	6.35	R1/8	22	22	44	3.5	8	7	17	14
GVH-4T4R-BS	6.35	R1/4	22	24	44	3.5	8	7	17	14
GVH-6T4R-BS	9.53	R1/4	23	24	44	3.5	9.5	8	17	17
GVH-6T6R-BS	9.53	R3/8	23	27	44	3.5	9.5	8	17	17
GVH-8T6R-BS	12.7	R3/8	25	28	45	3.5	12	10	19	23
GVH-8T8R-BS	12.7	R1/2	25	30	45	3.5	12	10	19	23