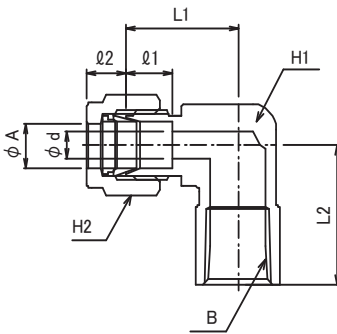


**ダブルフェルール式銅管継手【黄銅製】**
**圧力計エルボユニオン**


型 式	銅管外径 A (mm)	管用ねじ B (Rc)	本体長さ		最小穴径 d (mm)	差込深さ		対 辺	
			L1 (mm)	L2 (mm)		Q1 (mm)	Q2 (mm)	H1 (mm)	H2 (mm)
GFE-6M2R-BS	6	Rc1/8	21	20	5	8	7	14	14
GFE-6M4R-BS	6	Rc1/4	22	25.5	5	8	7	17	14
GFE-6M6R-BS	6	Rc3/8	24	36	5	8	7	19	14
GFE-6M8R-BS	6	Rc1/2	30	39	5	8	7	26	14
GFE-8M2R-BS	8	Rc1/8	21	20	6	9	8	14	16
GFE-8M4R-BS	8	Rc1/4	22	25.5	6	9	8	17	16
GFE-8M6R-BS	8	Rc3/8	24	36	6	9	8	19	16
GFE-8M8R-BS	8	Rc1/2	30	39	6	9	8	26	16
GFE-10M2R-BS	10	Rc1/8	22.5	25.5	8	10	9	17	19
GFE-10M4R-BS	10	Rc1/4	22.5	25.5	8	10	9	17	19
GFE-10M6R-BS	10	Rc3/8	25.5	36	8	10	9	19	19
GFE-10M8R-BS	10	Rc1/2	31	39	8	10	9	26	19
GFE-12M2R-BS	12	Rc1/8	25.5	36	8.2	12	10	19	23
GFE-12M4R-BS	12	Rc1/4	25.5	36	10	12	10	19	23
GFE-12M6R-BS	12	Rc3/8	25.5	36	10	12	10	19	23
GFE-12M8R-BS	12	Rc1/2	31	39	10	12	10	26	23
GFE-4T2R-BS	6.35	Rc1/8	21	20	5	8	7	14	14
GFE-4T4R-BS	6.35	Rc1/4	22	25.5	5	8	7	17	14
GFE-4T6R-BS	6.35	Rc3/8	24	36	5	8	7	19	14
GFE-4T8R-BS	6.35	Rc1/2	30	39	5	8	7	26	14
GFE-6T2R-BS	9.53	Rc1/8	22.5	25.5	7	9.5	8	17	17
GFE-6T4R-BS	9.53	Rc1/4	22.5	25.5	7	9.5	8	17	17
GFE-6T6R-BS	9.53	Rc3/8	25.5	36	7	9.5	8	19	17
GFE-6T8R-BS	9.53	Rc1/2	31	39	7	9.5	8	26	17
GFE-8T2R-BS	12.7	Rc1/8	25.5	36	8.2	12	10	19	23
GFE-8T4R-BS	12.7	Rc1/4	25.5	36	10	12	10	19	23
GFE-8T6R-BS	12.7	Rc3/8	25.5	36	10	12	10	19	23
GFE-8T8R-BS	12.7	Rc1/2	31	39	10	12	10	26	23