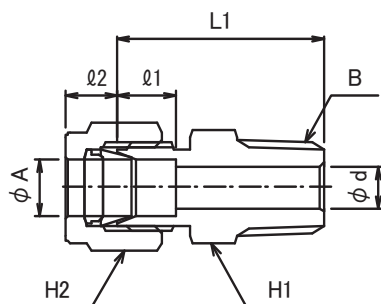


**ダブルフェルール式銅管継手【黄銅製】**
**ハーフユニオン**


型 式	銅管外径		管体長さ L1 (mm)	最小穴径 d (mm)	差込深さ		対 辺	
	A (mm)	B (R)			φ1 (mm)	φ2 (mm)	H1 (mm)	H2 (mm)
GMC-6M2R-BS	6	R1/8	29	5	8	7	14	14
GMC-6M4R-BS	6	R1/4	31	5	8	7	14	14
GMC-6M6R-BS	6	R3/8	32	5	8	7	17	14
GMC-6M8R-BS	6	R1/2	37.5	5	8	7	22	14
GMC-8M2R-BS	8	R1/8	29	6	9	8	14	16
GMC-8M4R-BS	8	R1/4	31	6	9	8	14	16
GMC-8M6R-BS	8	R3/8	32	6	9	8	17	16
GMC-8M8R-BS	8	R1/2	37.5	6	9	8	22	16
GMC-10M2R-BS	10	R1/8	30	6	10	9	17	19
GMC-10M4R-BS	10	R1/4	32	8	10	9	17	19
GMC-10M6R-BS	10	R3/8	33	8	10	9	17	19
GMC-10M8R-BS	10	R1/2	38.5	8	10	9	22	19
GMC-12M2R-BS	12	R1/8	30	6	12	10	22	23
GMC-12M4R-BS	12	R1/4	32	8	12	10	22	23
GMC-12M6R-BS	12	R3/8	33	10	12	10	22	23
GMC-12M8R-BS	12	R1/2	38.5	10	12	10	22	23
GMC-4T2R-BS	6.35	R1/8	29	5	8	7	14	14
GMC-4T4R-BS	6.35	R1/4	31	5	8	7	14	14
GMC-4T6R-BS	6.35	R3/8	32	5	8	7	17	14
GMC-4T8R-BS	6.35	R1/2	37.5	5	8	7	22	14
GMC-6T2R-BS	9.53	R1/8	30	6	9.5	8	17	17
GMC-6T4R-BS	9.53	R1/4	32	7	9.5	8	17	17
GMC-6T6R-BS	9.53	R3/8	33	7	9.5	8	17	17
GMC-6T8R-BS	9.53	R1/2	38.5	7	9.5	8	22	17
GMC-8T2R-BS	12.7	R1/8	30	6	12	10	22	23
GMC-8T4R-BS	12.7	R1/4	32	8	12	10	22	23
GMC-8T6R-BS	12.7	R3/8	33	10	12	10	22	23
GMC-8T8R-BS	12.7	R1/2	38.5	10	12	10	22	23