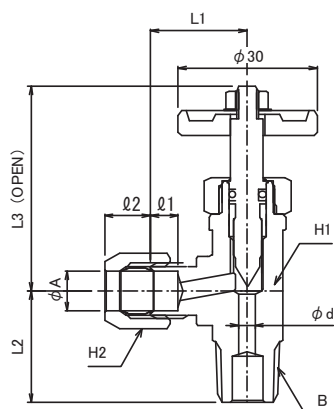


## リング式銅管継手(計装用)

### ミニチュアバルブC型



型 式	銅管外径		本体長さ			最小穴径 d (mm)	差込深さ		対 辺	
	A (mm)	管用ねじ B (R)	L1 (mm)	L2 (mm)	L3 (mm)		φ1 (mm)	φ2 (mm)	H1 (mm)	H2 (mm)
GVCC-9101R-BS	6	1/8	21	22	44	3.5	5.5	9.5	17	14
GVCC-9102R-BS	6	1/4	21	24	44	3.5	5.5	9.5	17	14
GVCC-9103R-BS	6	3/8	21	27	44	3.5	5.5	9.5	17	14
GVCC-9201R-BS	8	1/8	21	22	44	3.5	6	9.5	17	14
GVCC-9202R-BS	8	1/4	21	24	44	3.5	6	9.5	17	14
GVCC-9203R-BS	8	3/8	21	27	44	3.5	6	9.5	17	14
GVCC-9301R-BS	10	1/8	22	22	44	3.5	6	11	17	17
GVCC-9302R-BS	10	1/4	22	24	44	3.5	6	11	17	17
GVCC-9303R-BS	10	3/8	22	27	44	3.5	6	11	17	17
GVCC-9401R-BS	12	1/8	23	22	44	3.5	6	12	17	19
GVCC-9402R-BS	12	1/4	23	24	44	3.5	6	12	17	19
GVCC-9403R-BS	12	3/8	23	27	44	3.5	6	12	17	19
GVCC-9021R-BS	6.35	1/8	21	22	44	3.5	5.5	9.5	17	14
GVCC-9022R-BS	6.35	1/4	21	24	44	3.5	5.5	9.5	17	14
GVCC-9023R-BS	6.35	3/8	21	27	44	3.5	5.5	9.5	17	14
GVCC-9031R-BS	9.53	1/8	22	22	44	3.5	6	11	17	17
GVCC-9032R-BS	9.53	1/4	22	24	44	3.5	6	11	17	17
GVCC-9033R-BS	9.53	3/8	22	27	44	3.5	6	11	17	17