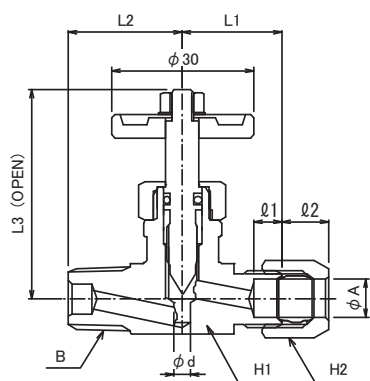


リング式銅管継手(計装用)

ミニチュアバルブA型



型 式	銅管外径		管径ねじ			本体長さ			最小穴径	差込深さ		対 辺	
	A (mm)	B (R)	L1 (mm)	L2 (mm)	L3 (mm)	d (mm)	φ1 (mm)	φ2 (mm)	H1 (mm)	H2 (mm)			
GVAC-9101R-BS	6	1/8	21	22	44	3.5	5.5	9.5	17	14			
GVAC-9102R-BS	6	1/4	21	24	44	3.5	5.5	9.5	17	14			
GVAC-9103R-BS	6	3/8	21	27	44	3.5	5.5	9.5	17	14			
GVAC-9104R-BS	6	1/2	23	30	45	3.5	5.5	9.5	19	14			
GVAC-9201R-BS	8	1/8	21	22	44	3.5	6	9.5	17	14			
GVAC-9202R-BS	8	1/4	21	24	44	3.5	6	9.5	17	14			
GVAC-9203R-BS	8	3/8	21	27	44	3.5	6	9.5	17	14			
GVAC-9301R-BS	10	1/8	22	22	44	3.5	6	11	17	17			
GVAC-9302R-BS	10	1/4	22	24	44	3.5	6	11	17	17			
GVAC-9303R-BS	10	3/8	22	27	44	3.5	6	11	17	17			
GVAC-9401R-BS	12	1/8	23	22	44	3.5	6	12	17	19			
GVAC-9402R-BS	12	1/4	23	24	44	3.5	6	12	17	19			
GVAC-9403R-BS	12	3/8	23	27	44	3.5	6	12	17	19			
GVAC-9021R-BS	6.35	1/8	21	22	44	3.5	5.5	9.5	17	14			
GVAC-9022R-BS	6.35	1/4	21	24	44	3.5	5.5	9.5	17	14			
GVAC-9023R-BS	6.35	3/8	21	27	44	3.5	5.5	9.5	17	14			
GVAC-9024R-BS	6.35	1/2	23	30	45	3.5	5.5	9.5	19	14			
GVAC-9031R-BS	9.53	1/8	22	22	44	3.5	6	11	17	17			
GVAC-9032R-BS	9.53	1/4	22	24	44	3.5	6	11	17	17			
GVAC-9033R-BS	9.53	3/8	22	27	44	3.5	6	11	17	17			